



Equipment for the Foodservice Industry

value + quality + service

## Salad/Sandwich Prep Tables

CSDR2-48VC



### CSDR2-48VC

### Features

#### Features:

- Front breathing, side mount compressor
- Exterior & interior stainless steel construction
- Environmentally friendly R290 refrigerant
- Heavy duty Embraco compressor
- Self-closing and stay open door
- Efficient refrigeration system
- Recessed door handle
- Standard safety door lock
- Magnetic door gaskets
- Casters for easy movement
- Pre-installed shelves

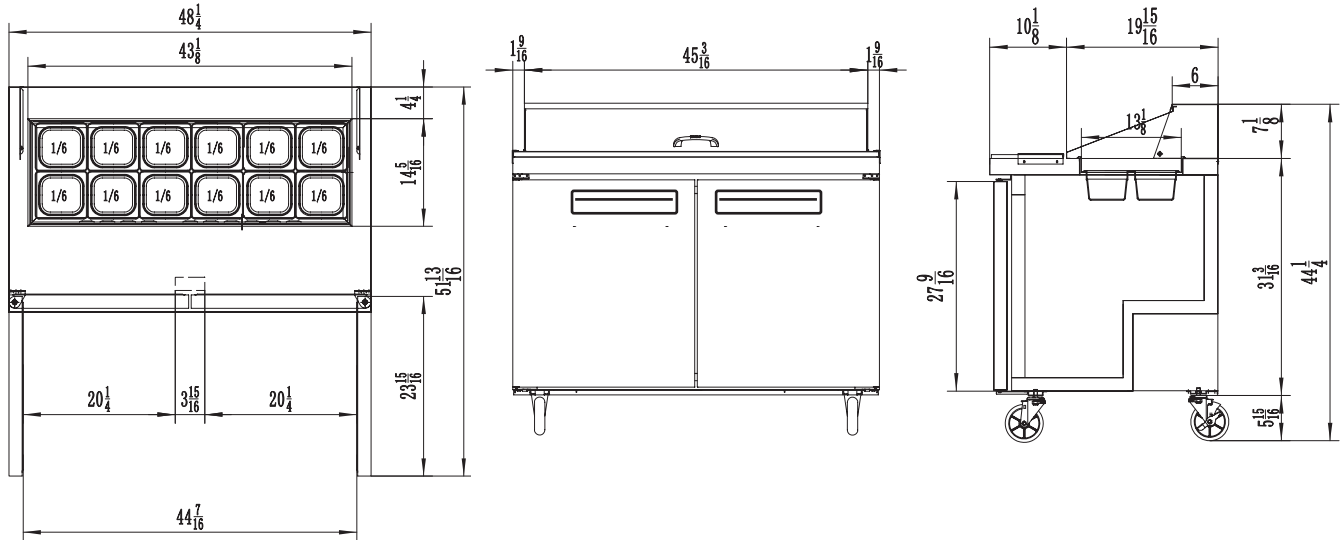
#### Warranty:

- Two year parts and labour; Five years on compressor. For full warranty details visit <https://www.efifoodequip.com/warranty-info.php>



**CSDR2-48VC**

**Specifications**



Model	Refrigerant	Doors	Shelves	Dimension (mm) (inch)			HP	Voltage	Amps	Capacity (L) (Cu Ft.)	Net Weight (KG) (LBS)	Temperature Range
				L	D	H						
CSDR2-48VC	R290	2	2	1225	762	1109	1/6	115/60	2.3	379	105	1 ~ 8°C
				48.2	30.0	43.7				13.4	231	33 ~ 45°F

Equipped with one NEMA 5-15P plug 

**Shipping Information**

Crate Dimensions (mm) (inch)			Net Weight (KG) (LBS)	Gross Weight (KG) (LBS)
L	D	H		
1280	831	1186	105	125
50.4	32.7	46.7	231	276

Specifications subject to change without notice.



EFI Sales Ltd.  
Toronto Office  
515 Hanlon Blvd  
Guelph, ON N1C 0A1

EFI Sales Ltd.  
Vancouver Office  
26895 Gloucester Way  
Langley, BC V4W 3Y3

Distribution Facilities:  
Toronto, ON  
Langley, BC

(888) 565-9920 Toll Free  
(519) 822-1895 Toronto  
(604) 607-8850 Vancouver  
info@efifoodequip.com  
www.efifoodequip.com